

HDE

Large Transformer Enclosures



Product Data Sheet 408/2 Issue 0

HDE ENCLOSURES - FLOOR MOUNTED

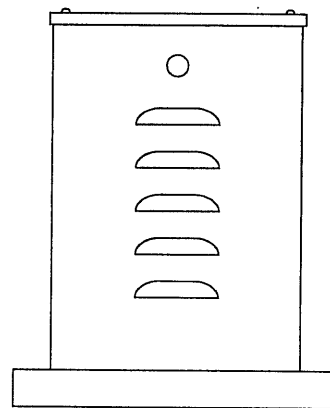
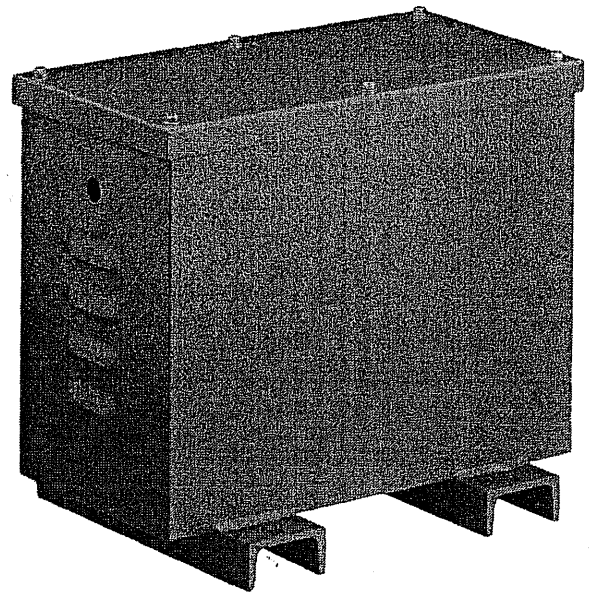
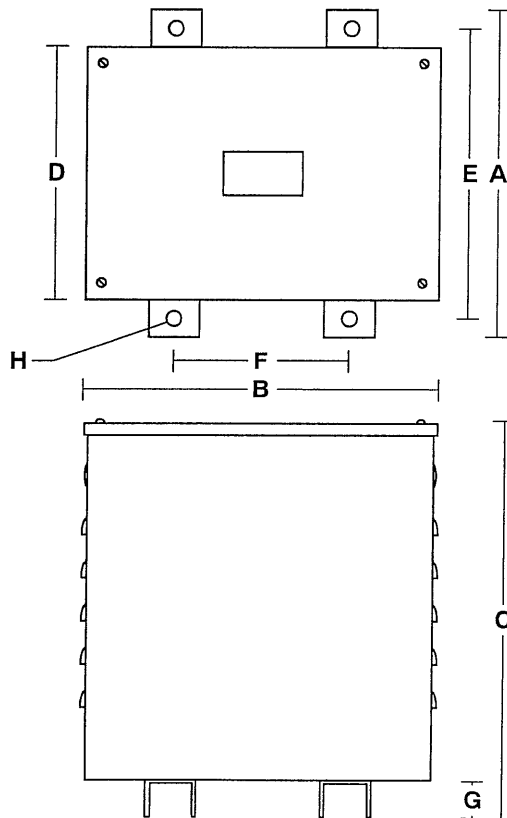
A range of steel cases to cover 7.5 - 50 kVA single phase and up to 75 kVA three phase. The cases are fully ventilated having louvered sides and an open base for optimum convection providing maximum dissipation of heat.

All cases are suitable for floor mounting only and are supplied with two 20 mm conduit entries.

The enclosures are IP23 protection as standard; IP54 or IP65 cases are optional.

Transformers can be supplied with cases to customer design.

Dimensions



SHEET STEEL CONSTRUCTION GREY STOVE ENAMEL FINISH

Product Code	A mm	B mm	C mm	D mm	E mm	F mm	G mm	H mm	Weight kg
HDE 0	300	420	370	220	270	240	40	12	11.0
HDE 1	470	340	610	360	405	180	40	12	18.5
HDE 2	530	370	730	445	470	240	40	12	23.5
HDE 3	380	420	480	300	330	240	40	12	14.8
HDE 4	470	480	610	360	405	300	40	12	20.6
HDE 5	530	525	730	415	470	360	40	12	26.7