

CUSTOM THREE PHASE DOUBLE WOUND

2 kVA - 100 kVA

A range of three phase transformers designed for optimum performance using low watt loss cores. The core construction transformers have terminal blocks or screw stud connections for higher currents. Fixing is by channel brackets with larger sizes having lifting eyes to ease installation.

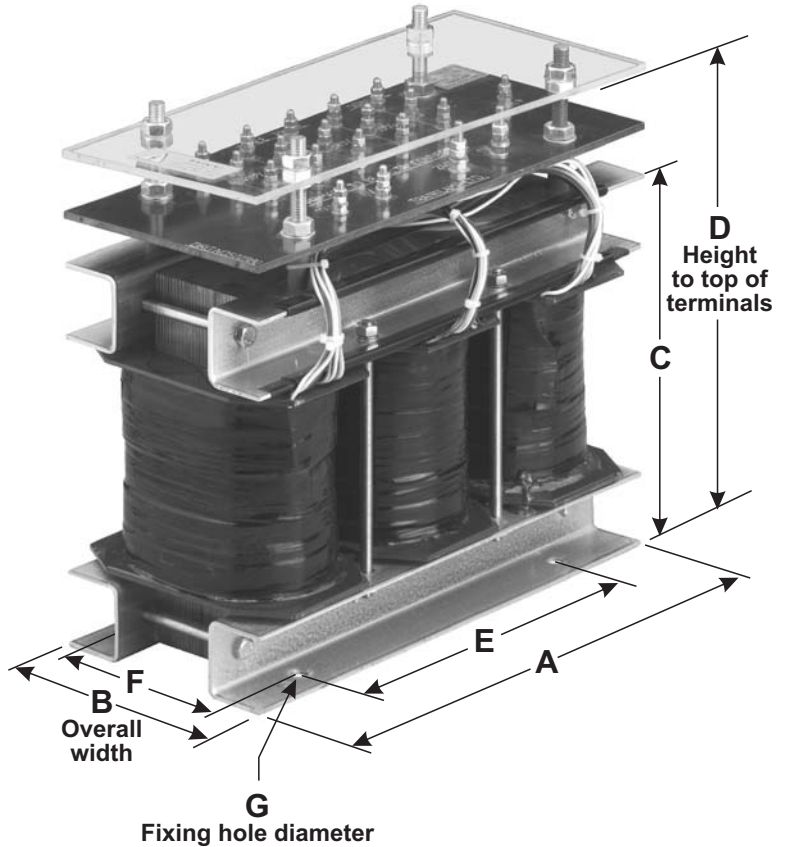
Designed to customer requirements, earth screens can be fitted if required. All transformers are supplied with a polyester varnish finish, a tropicalised enveloping varnish is optional. They are designed to operate in a maximum ambient temperature of 30 deg C without derating.

Smaller three phase transformers than those shown are available, details on application.

A full range of steel stove enamelled enclosures is available for all types, see Data Sheet 408.

SPECIFICATION

- Temp. range: - 10 C to + 50 C
- Insulation: To BS 2757 class E
- Regulation: 1-6% dependant on design
- Flash test: 3 kV for 1 minute minimum
- Max. voltage: 600 V



Dimensions mm

Product Reference	Rating kVA	A	B	C	D	E	F	G	Weight kg	Enclosure Reference
TTP 1	2 - 3.7	360	130	250	330	240	75	12	30	HDE 0
TTP 1.5	3.8 - 5.0	360	150	250	330	240	95	12	37	HDE 0
TTP 2	5.1 - 6.7	360	170	250	330	240	115	12	45	HDE 3
TTP 3	6.8 - 10.0	360	175	280	360	240	115	12	55	HDE 3
TTP 4	10.1 - 13.4	360	180	280	360	240	140	12	67	HDE 3
TTP 5	13.5 - 18.0	420	175	400	470	300	120	12	90	HDE 4
TTP 6	18.1 - 22.5	420	195	400	470	300	140	12	120	HDE 4
TTP 7	22.6 - 27.0	420	220	400	470	300	164	12	150	HDE 4
TTP 8	27.1 - 30.0	420	245	400	470	300	180	12	180	HDE 4
TTP 9	30.1 - 39.0	465	240	520	660	360	180	12	210	HDE 5
TTP 10	39.1 - 52.0	465	280	520	660	360	210	12	250	HDE 5
TTP 11	52.1 - 75	465	300	520	660	360	240	12	310	HDE 5
TTP 12	75.1 - 100	465	360	520	660	360	300	12	360	-

TTP 1 - 5 TERMINAL BLOCKS WHERE APPROPRIATE, STUDS FOR HIGHER CURRENTS

TTP 6 - 11 STUD TERMINALS FITTED AS STANDARD

ALL DIMENSIONS ARE NOMINAL AND REFER TO 50/60 Hz ONLY

HIGHER FREQUENCY TRANSFORMERS AVAILABLE. DIMENSIONS ON REQUEST